

SIDE METRES	ANGLES OF DIRECTION	CO-ORDINATES SYSTEM LO 19°			
		Y	X	CONSTANT	
AB	6.34	241 44 10	A	+57 564.18	+56 826.74
BC	11.56	321 45 30	B	+57 558.60	+56 823.74
CD	2.60	286 18 30	C	+57 551.45	+56 832.82
DE	15.59	298 02 30	D	+57 548.95	+56 833.55
EF	6.43	72 13 50	E	+57 535.19	+56 840.87
FG	10.91	57 50 10	F	+57 541.32	+56 842.84
GH	2.90	72 20 40	G	+57 550.56	+56 848.65
HJ	16.66	154 07 30	H	+57 553.32	+56 849.53
JK	7.04	241 41 20	J	+57 560.59	+56 834.54
KL	3.32	152 12 10	K	+57 554.39	+56 831.20
LM	6.87	64 55 40	L	+57 555.94	+56 828.26
MA	4.87	155 25 50	M	+57 562.16	+56 831.17

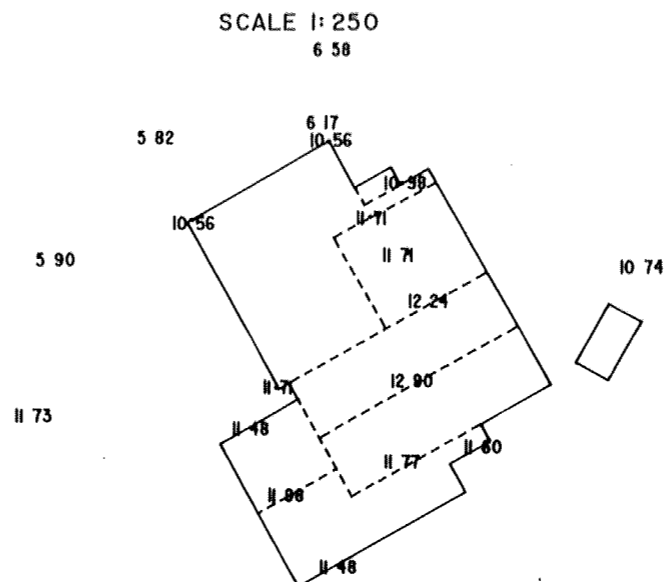
BEACON DESCRIPTION

ALL BEACONS ARE 12mm ROUND IRON PEGS

THE FIGURE ABCDEFGHJKLM REPRESENTS 268 SQUARE METRES OF LAND BEING ERF 395 CLIFTON (BUNGALOW SITE NO.23) SITUATE AT CLIFTON ON SEA IN THE MUNICIPALITY OF CAPE TOWN ADMINISTRATIVE DISTRICT OF THE CAPE PROVINCE OF CAPE OF GOOD HOPE. SURVEYED IN APRIL 1991 BY ME.

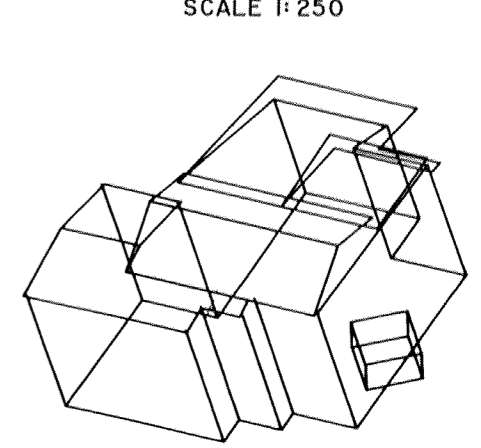
M. Blutton
LAND SURVEYOR

VERTICAL DIMENSIONS

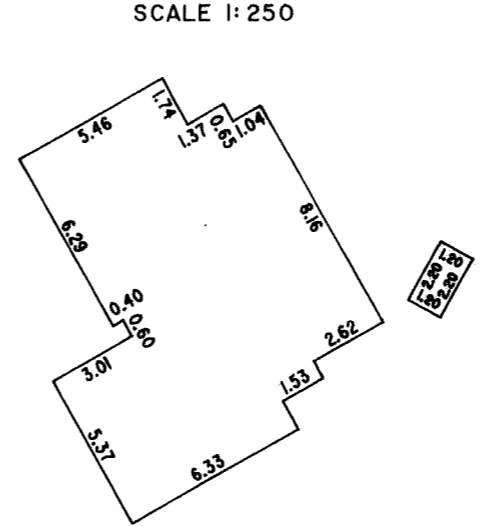


DATUM: M.S.LEVEL
DATE OF PHOTO: OCT 1989 15 87

VIEW A

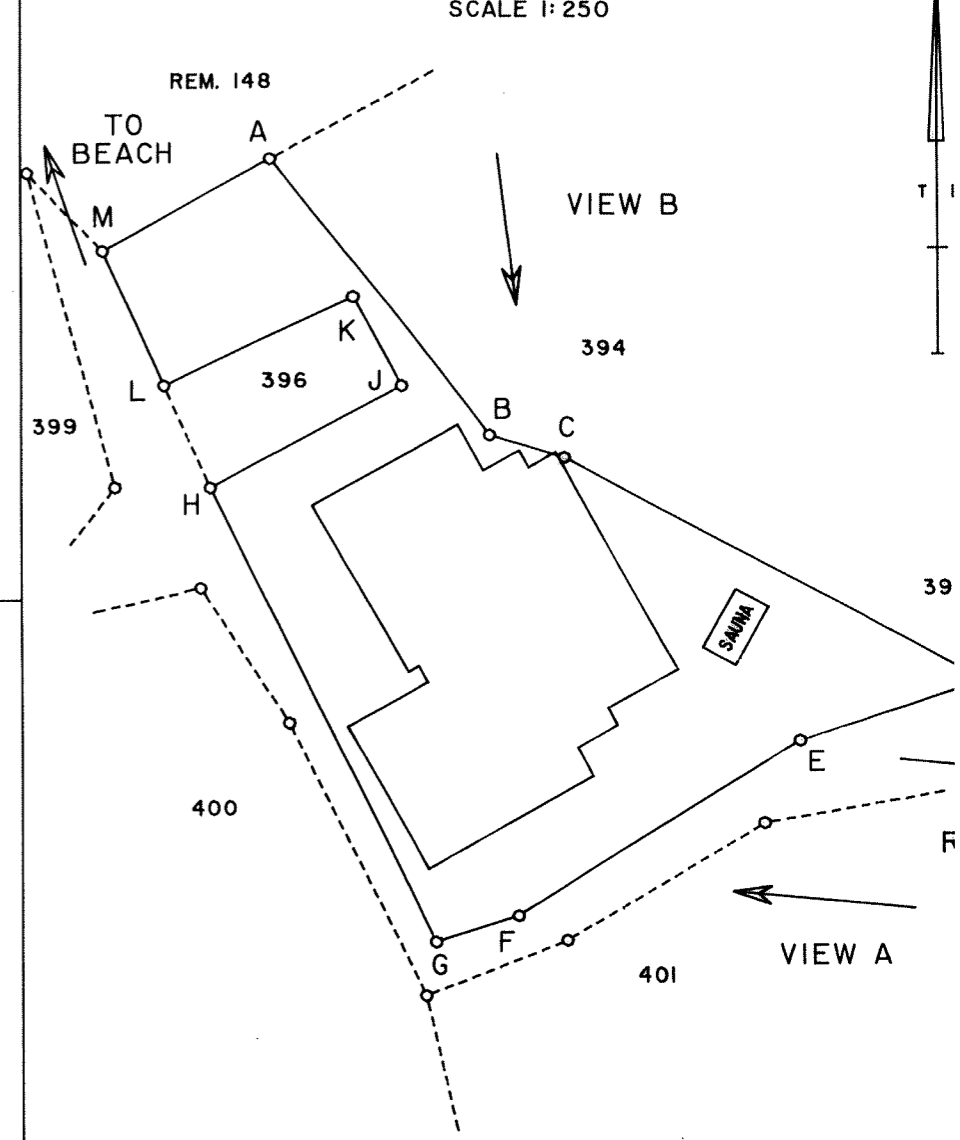


ROOF DIMENSIONS



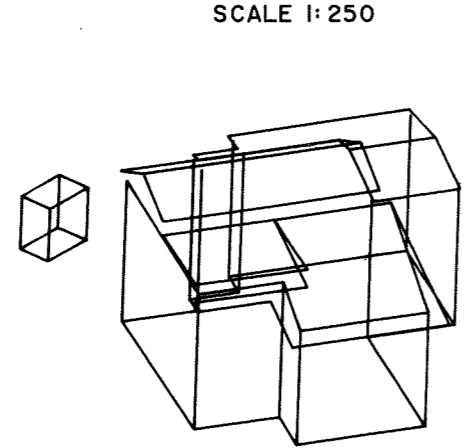
DATE MEASURED: SEPT 1990

SITE PLAN

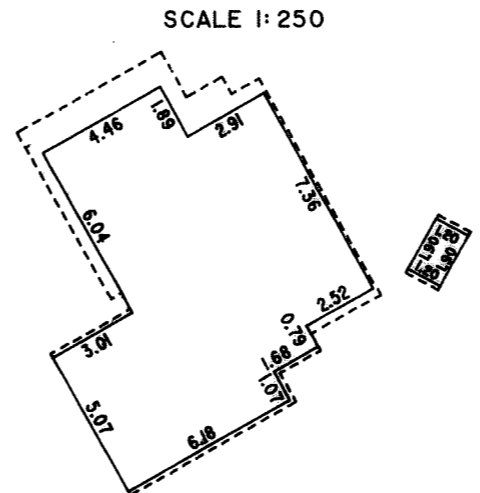


PROPERTY REF.NO. WJ 027A 018

VIEW B



BUILDING DIMENSIONS



DATE MEASURED: SEPT 1990
TOTAL AREA OF STRUCTURE: 85 SQUARE METRES

SIDES METRES		ANGLES OF DIRECTION		CO-ORDINATES SYSTEM LO 19°		
				Y	X	
AB	6.34	241 44 10	A	CONSTANT	0.00	+3 700 000.00
BC	11.56	321 45 30	B			+57 564.18
CD	2.60	286 18 30	C			+56 826.74
DE	15.59	298 02 30	D			+57 558.60
EF	6.43	72 13 50	E			+57 551.45
FG	10.91	57 50 10	F			+57 548.95
GH	2.90	72 20 40	G			+57 535.19
HJ	16.66	154 07 30	H			+57 541.32
JK	7.04	241 41 20	J			+57 550.56
KL	3.32	152 12 10	K			+57 553.32
LM	6.87	64 55 40	L			+57 560.59
MA	4.87	155 25 50	M			+57 554.39
						+57 555.94
						+57 562.16
						+56 828.26
						+56 831.17

BEACON DESCRIPTION

ALL BEACONS ARE 12mm ROUND IRON PEGS

THE FIGURE ABCDEFGHJKLM

REPRESENTS 268 SQUARE METRES

ERF 395 CLIFTON (BUNGALOW SITE NO.23)

SITUATE AT CLIFTON ON SEA IN THE MUNICIPALITY OF CAPE TOWN

ADMINISTRATIVE DISTRICT OF THE CAPE

SURVEYED IN APRIL 1991

BY ME.

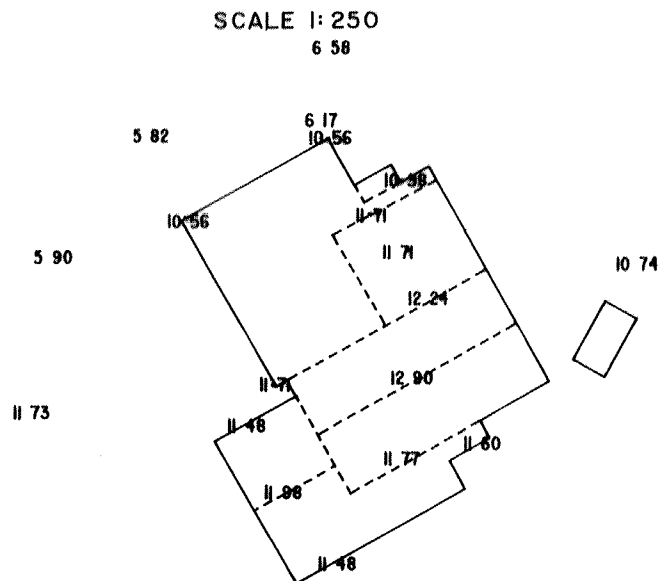
OF LAND BEING

PROVINCE OF CAPE OF GOOD HOPE.

M. Blutter

LAND SURVEYOR

VERTICAL DIMENSIONS



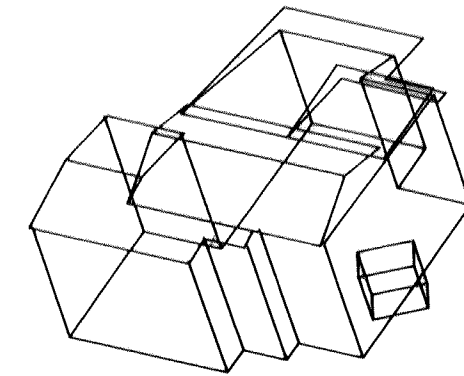
DATUM: M.S.LEVEL

DATE OF PHOTO: OCT 1989

15 87

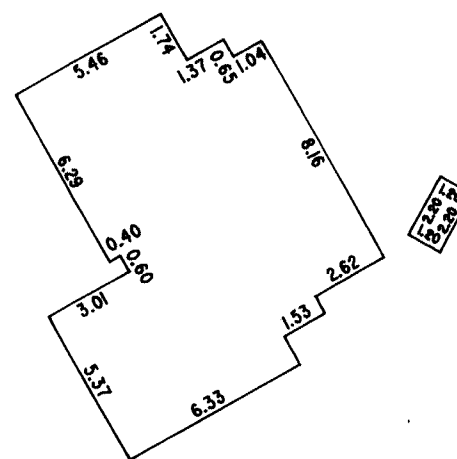
VIEW A

SCALE 1:250



ROOF DIMENSIONS

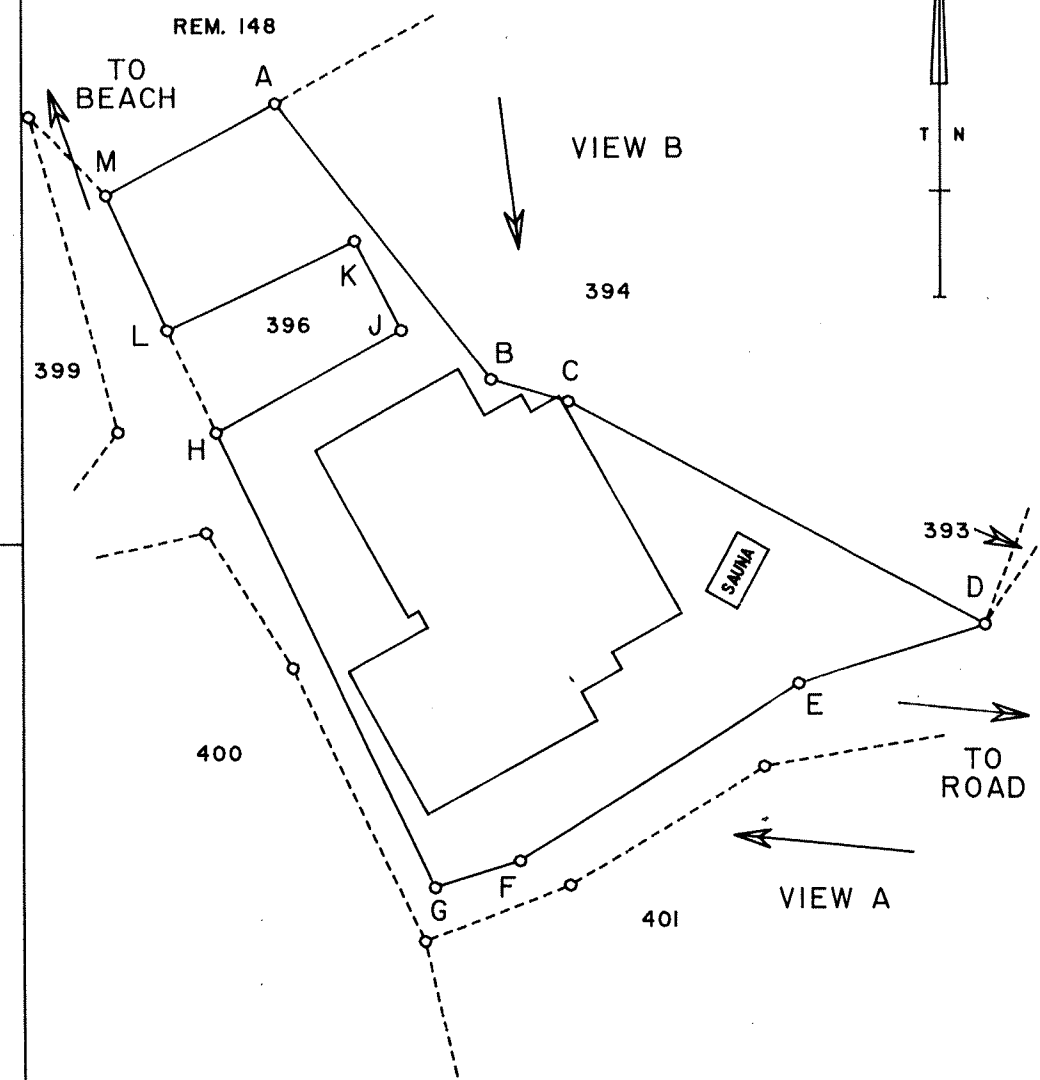
SCALE 1:250



DATE MEASURED: SEPT 1990

SITE PLAN

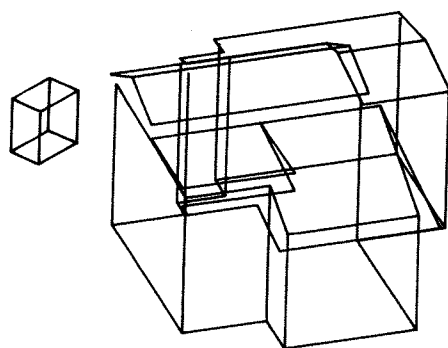
SCALE 1:250



PROPERTY REF.NO. WJ 027A 018

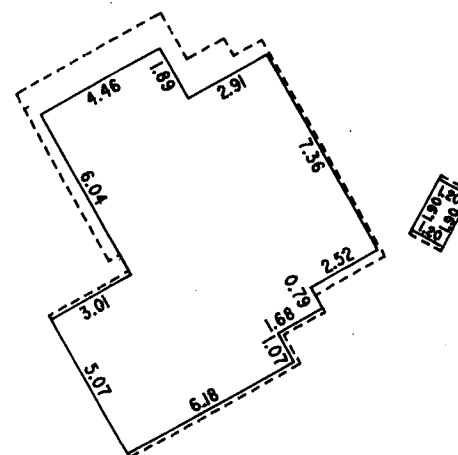
VIEW B

SCALE 1:250



BUILDING DIMENSIONS

SCALE 1:250



DATE MEASURED: SEPT 1990

TOTAL AREA OF STRUCTURE: 85 SQUARE METRES

NOTE: SERVICE BRANCH TO BE CONTACTED FOR THE EXACT LOCATION OF THE

R. YOUNG

N.W.RILEY

CITY OF CAPE TOWN

CLIFTON BUNGALOW AREA - SPECIAL AREA

FILE REF/VERWYS T.P.Z.